

FLOORPLAN:

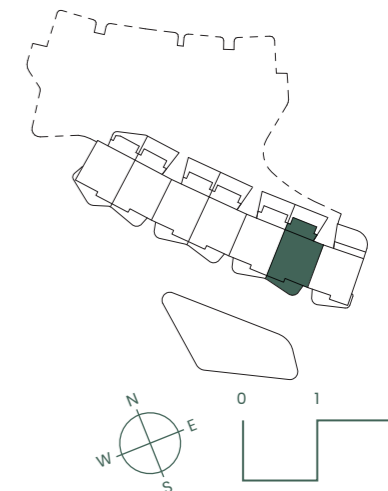
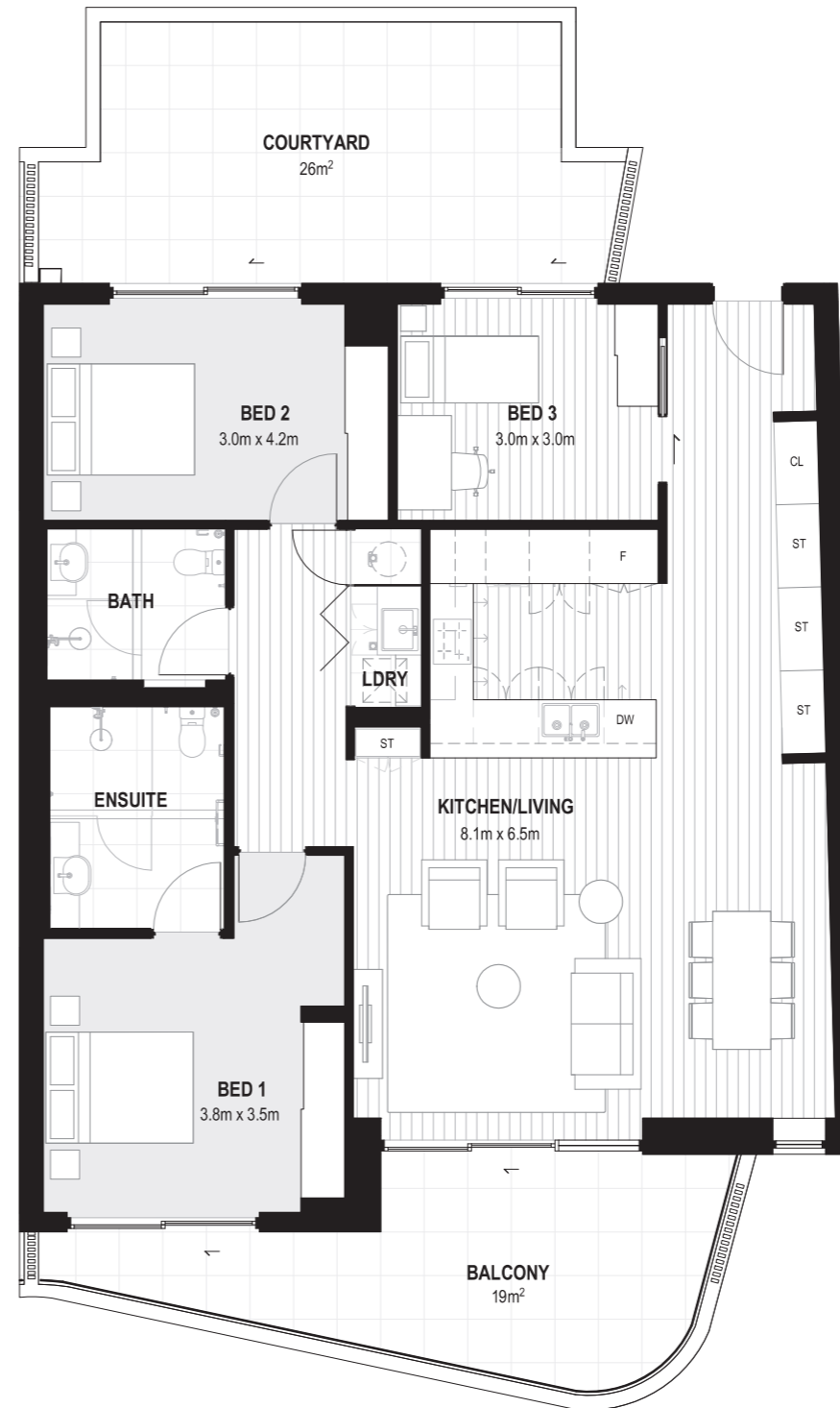
Three bedroom

APARTMENT 106

B GF

3 | 2 | 1

INTERNAL – 127m² / EXTERNAL – 45m²
TOTAL – 172m²



PLEASE NOTE: All dimensions and layouts (including sizes and locations of external windows and doors) are subject to final confirmation. Floor plans and illustrations are intended as a visual guide only and were prepared prior to completion of construction. Any interested parties should make their own enquiries, seek expert advice and review the contract terms as to the accuracy of the information.